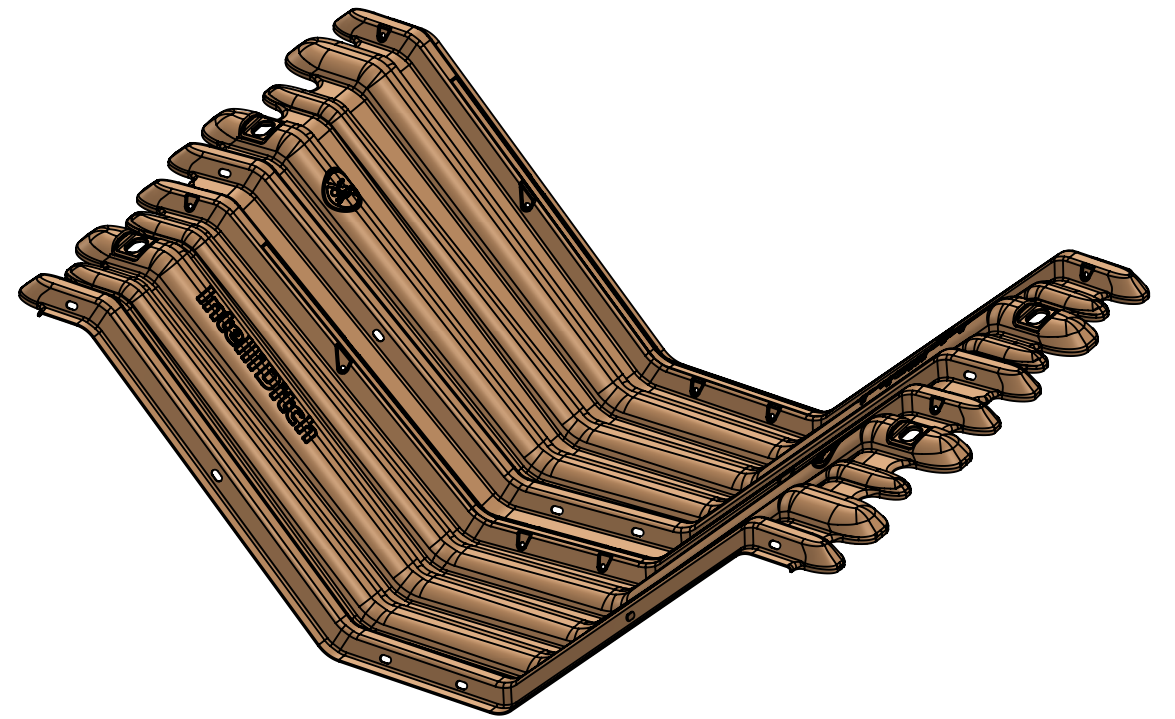
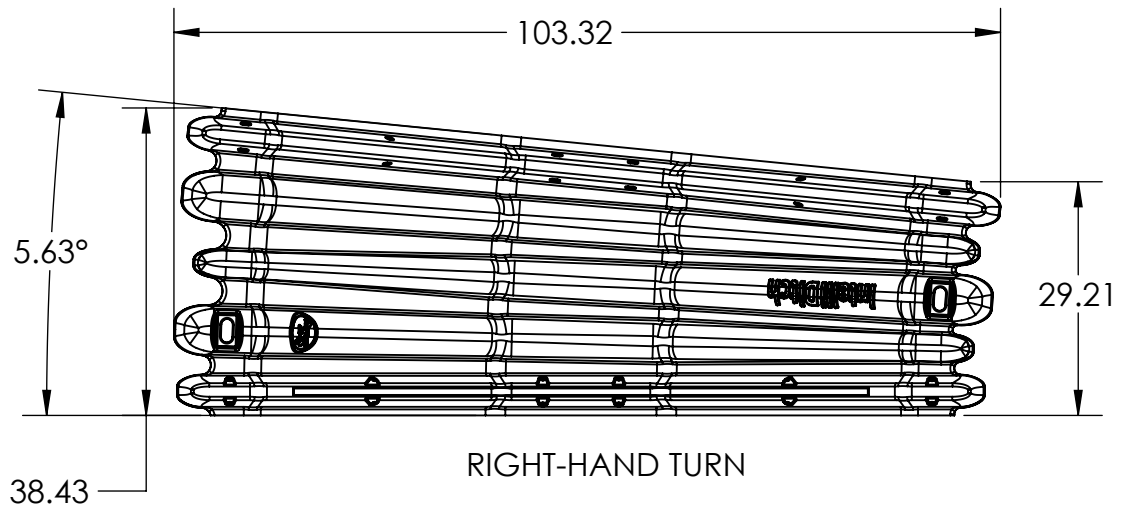
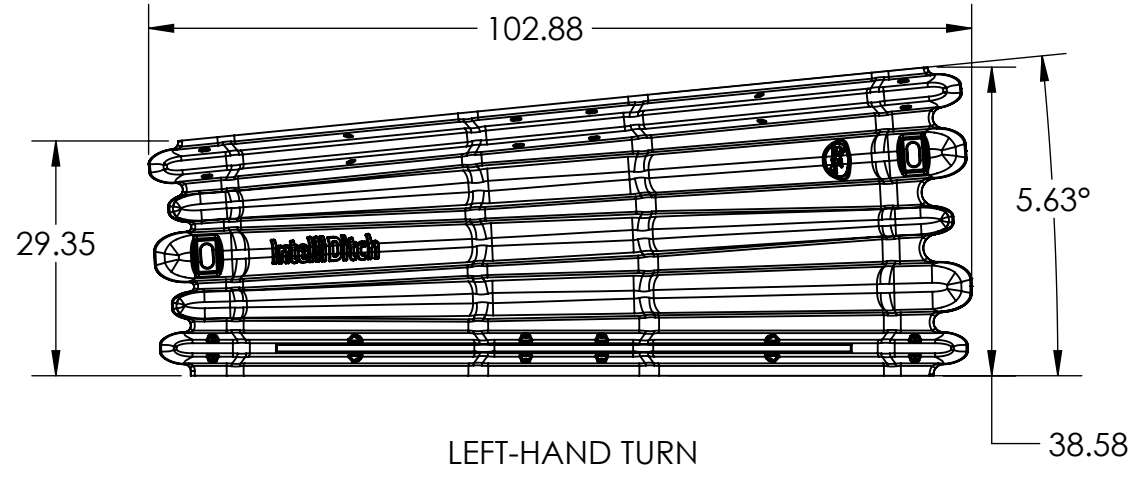


4

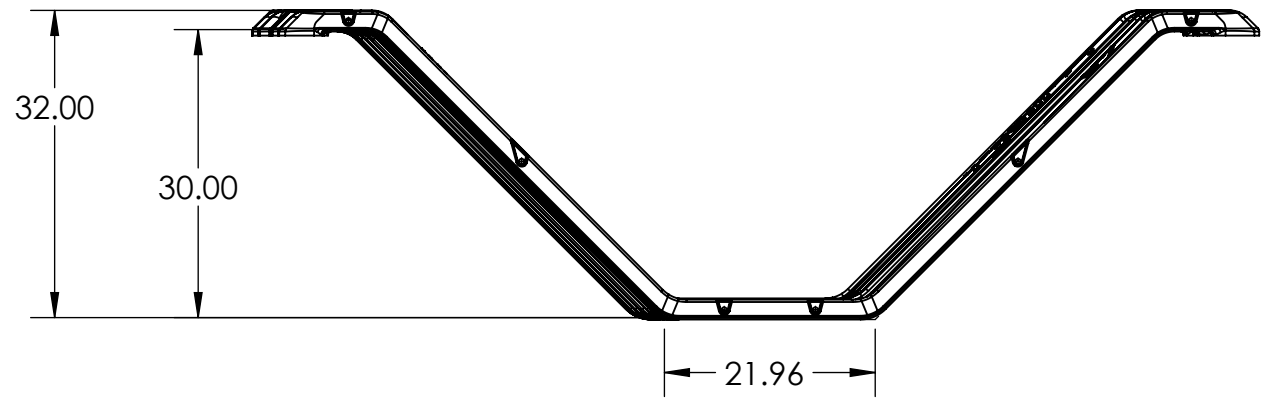
3

2

1



24" ELBOW SECTION
PATENT PENDING 63/237,096



4

3

2

1

B

B

A

A