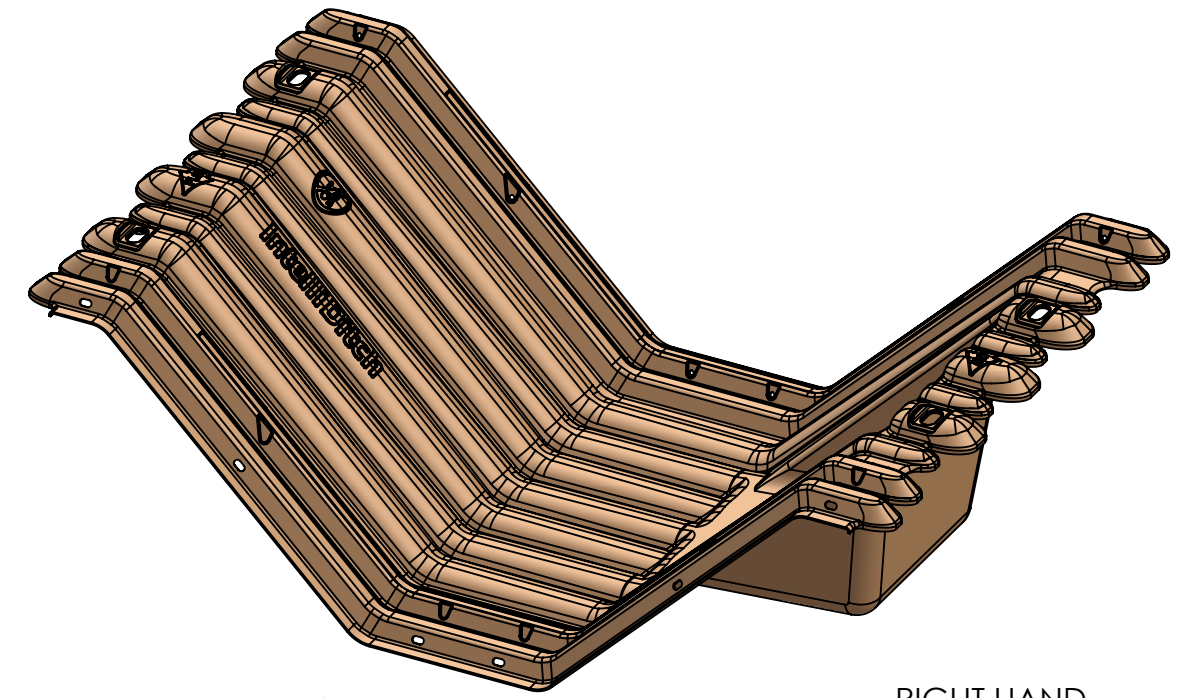
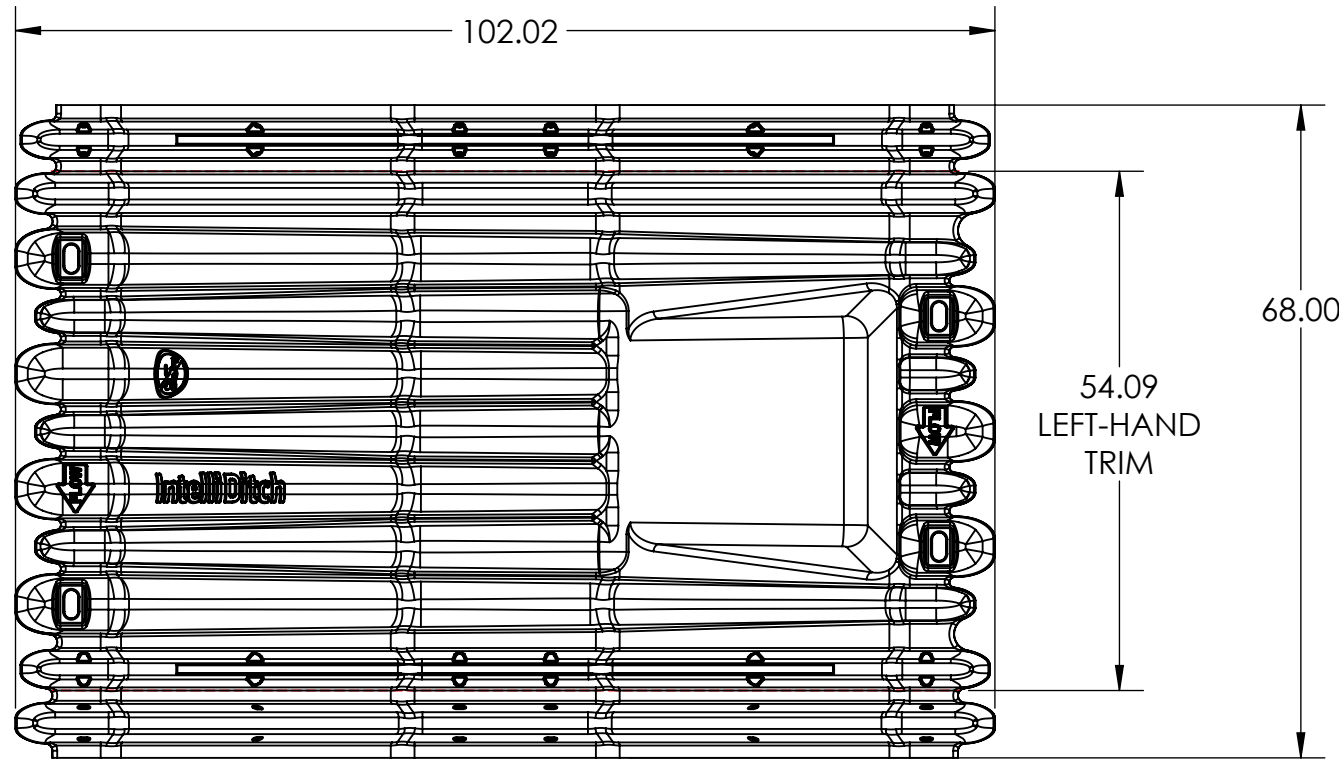


4

3

2

1



RIGHT HAND



LEFT HAND

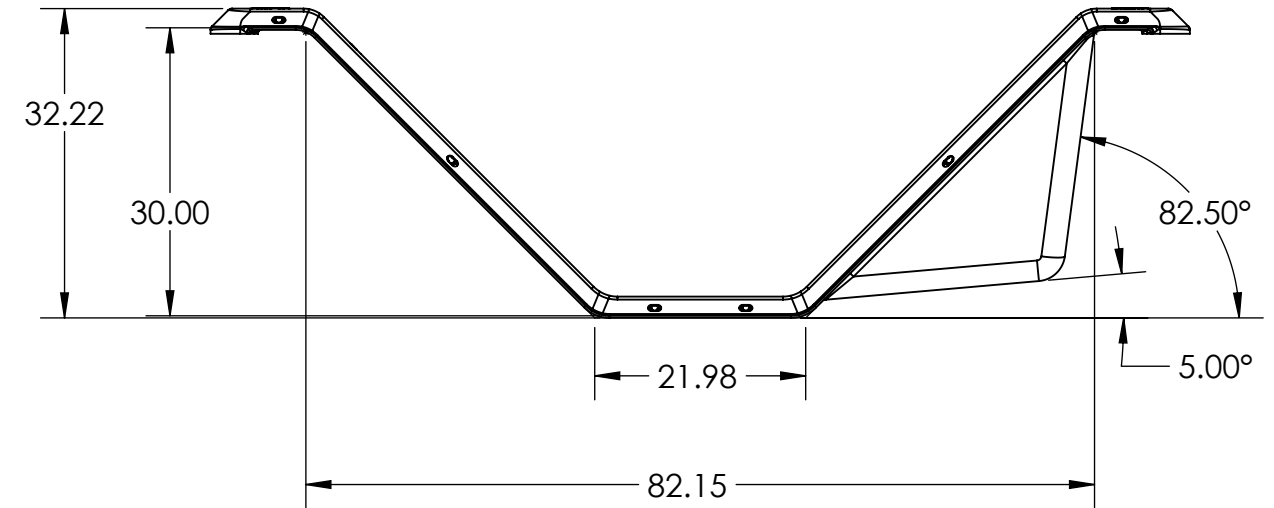
24" OUTLET SECTION
PATENT PENDING 63/237,096

B

B

A

A



4

3

2

1

4

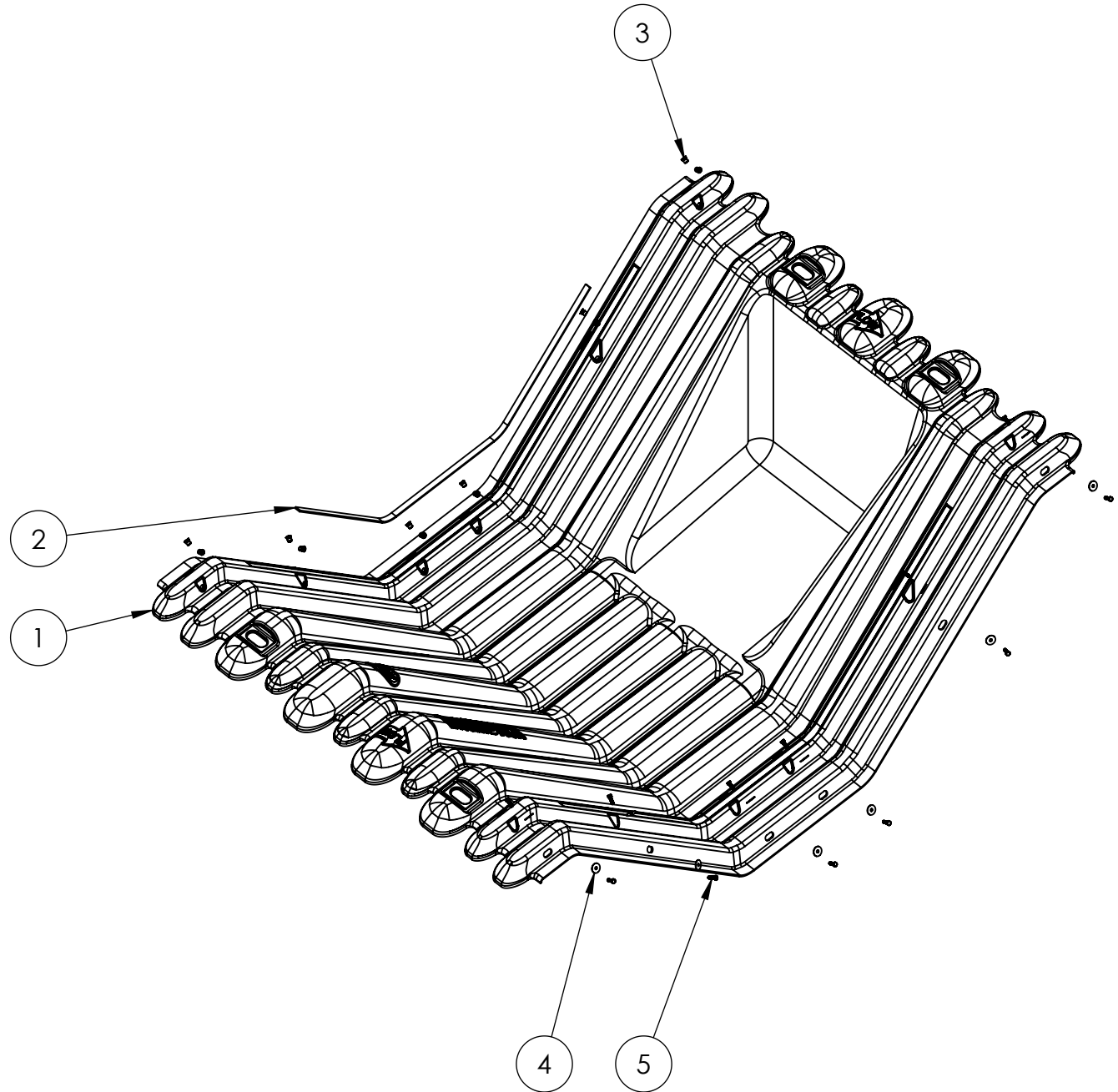
3

2

1

B

B



RIGHT HAND		
LENGTH	68 IN	173 CM
TOP WIDTH	102 IN	259 CM
BOTTOM WIDTH	21.98 IN	56 CM
HEIGHT	30 IN	76 CM

LEFT HAND		
LENGTH	54 IN	137 CM
TOP WIDTH	102 IN	259 CM
BOTTOM WIDTH	21.98 IN	56 CM
HEIGHT	30 IN	76 CM

A

A

RIGHT HAND CONFIGURATION SHOWN

- 24" OUTLET SECTION
- 8" TOGGLE GATE
- 10" TOGGLE GATE
- 12" TOGGLE GATE
- 15" TOGGLE GATE

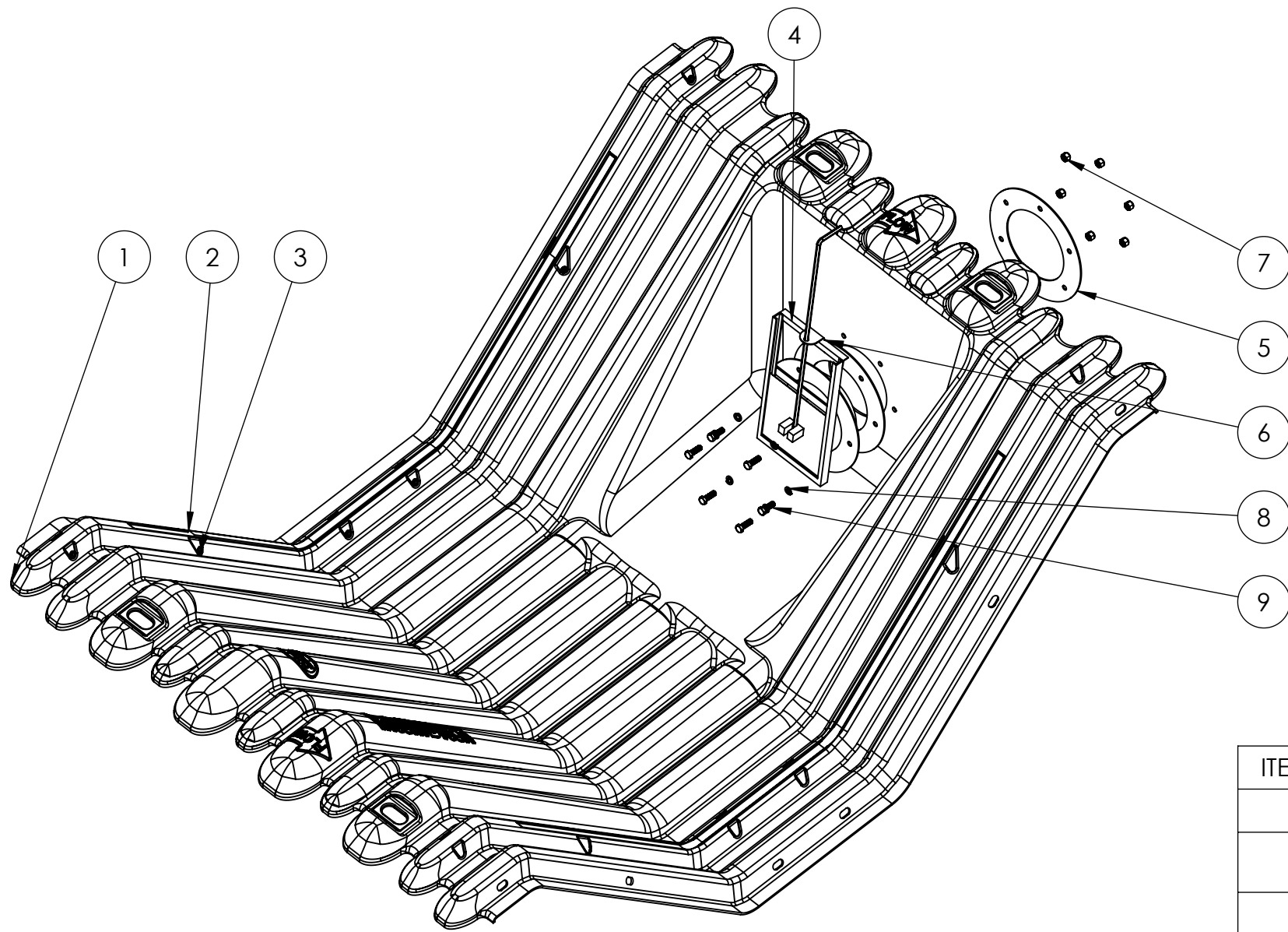
ITEM NO.	PART NUMBER	DESCRIPTION	QTY.
1	IntelliDitch Gate		1
2	Hydrophilic Gasket (5FT4IN)		1
3	94020A355_ALUMINUM HEAVY-DUTY RIVET NUT	5/16"-18 THD RIVET NUT, MCMASTER PN OR EQUIV	12
4	90377A164	Black SS Fender Washer for 5/16" SCREW; MCMASTER PN# OR EQUIV	12
5	92240A583	5/16"-18, 1" LG, SS Hex Head Screw; MCMASTER PN# OR EQUIV	12

4

3

2

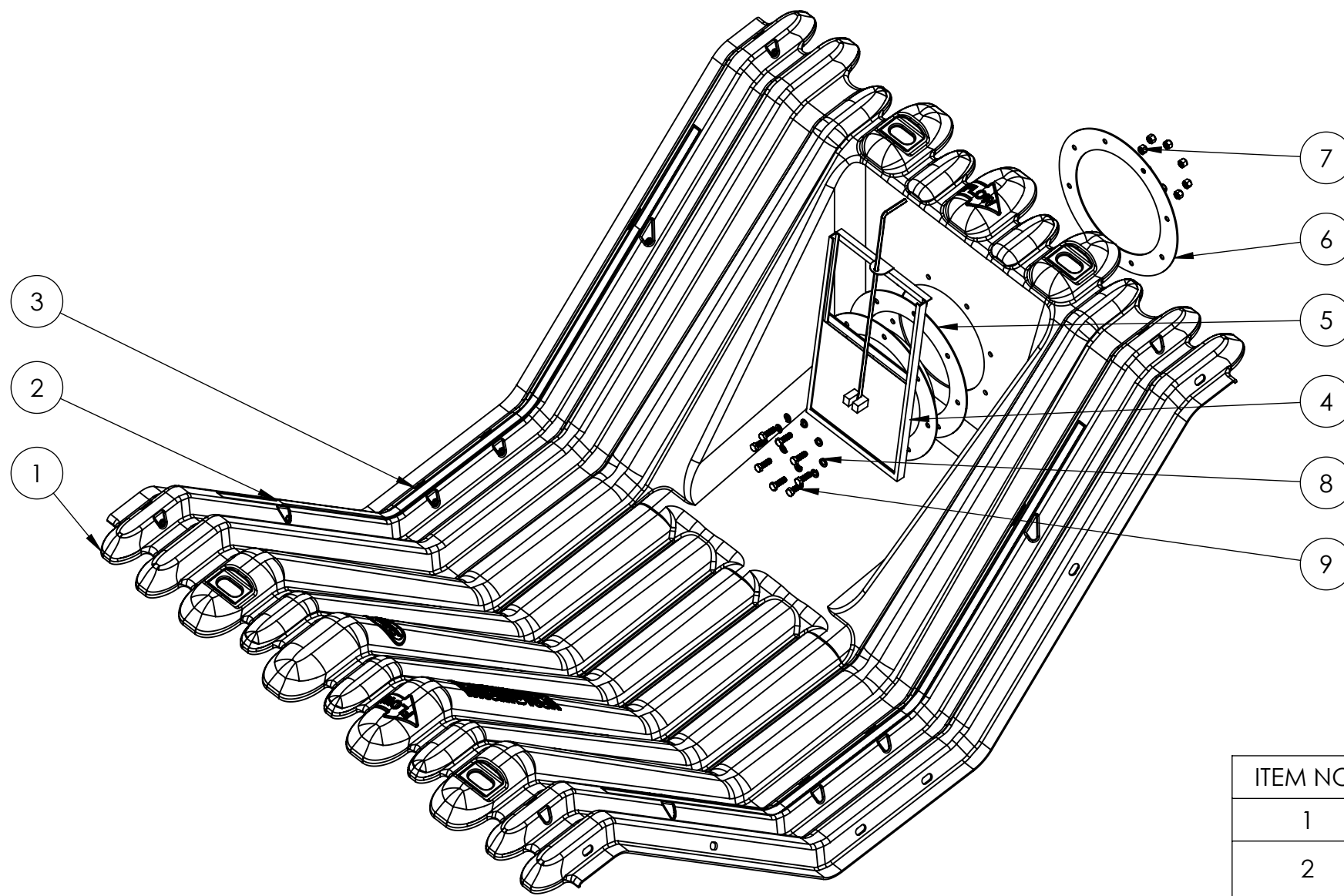
1



(RIGHT HAND CONFIGURATION SHOWN)

8" OR 10" TOGGLE GATE
ASSEMBLY

ITEM NO.	PART NUMBER	DESCRIPTION	QTY.
1	IntelliDitch Gate		1
2	Hydrophilic Gasket (5FT4IN)		1
3	94020A355_ALUMINUM HEAVY-DUTY RIVET NUT	5/16"-18 THD RIVET NUT, MCMaster PN OR EQUIV	12
4	FS Gate 8in OR 10in		1
5	8in OR 10in Gate Flange/ Backing Plate		2
6	FS8 OR 10IN Gasket		1
7	91831A140	1/2"-20 THD, NYLON-INSERT LOCKNUT, MCMaster PN# OR EQUIV	6
8	92146A033	1/2" SCREW SIZE, SPLIT LOCK WASHER, MCMaster PN# OR EQUIV	6
9	92240A435	1/2"-20, 1.5" LG SS Hex Head Screw; MCMaster PN# OR EQUIV	6



(RIGHT HAND CONFIGURATION SHOWN)

12" OR 15" TOGGLE GATE ASSEMBLY

ITEM NO.	PART NUMBER	DESCRIPTION	QTY.
1	IntelliDitch Gate		1
2	Hydrophilic Gasket (5FT4IN)		1
3	94020A355_ALUMINUM HEAVY-DUTY RIVET NUT	5/16"-18 THD RIVET NUT, MCMASTER PN OR EQUIV	12
4	FS Gate 12in OR 15in		1
5	FS12 OR 15 Gasket		1
6	12in OR 15in Gate Flange/ Backing Plate		2
7	91831A140	1/2"-20 THD, NYLON-INSERT LOCKNUT, MCMASTER PN# OR EQUIV	8
8	92146A033	1/2" SCREW SIZE, SPLIT LOCK WASHER, MCMASTER PN# OR EQUIV	8
9	92240A435	1/2"-20, 1.5" LG SS Hex Head Screw; MCMASTER PN# OR EQUIV	8