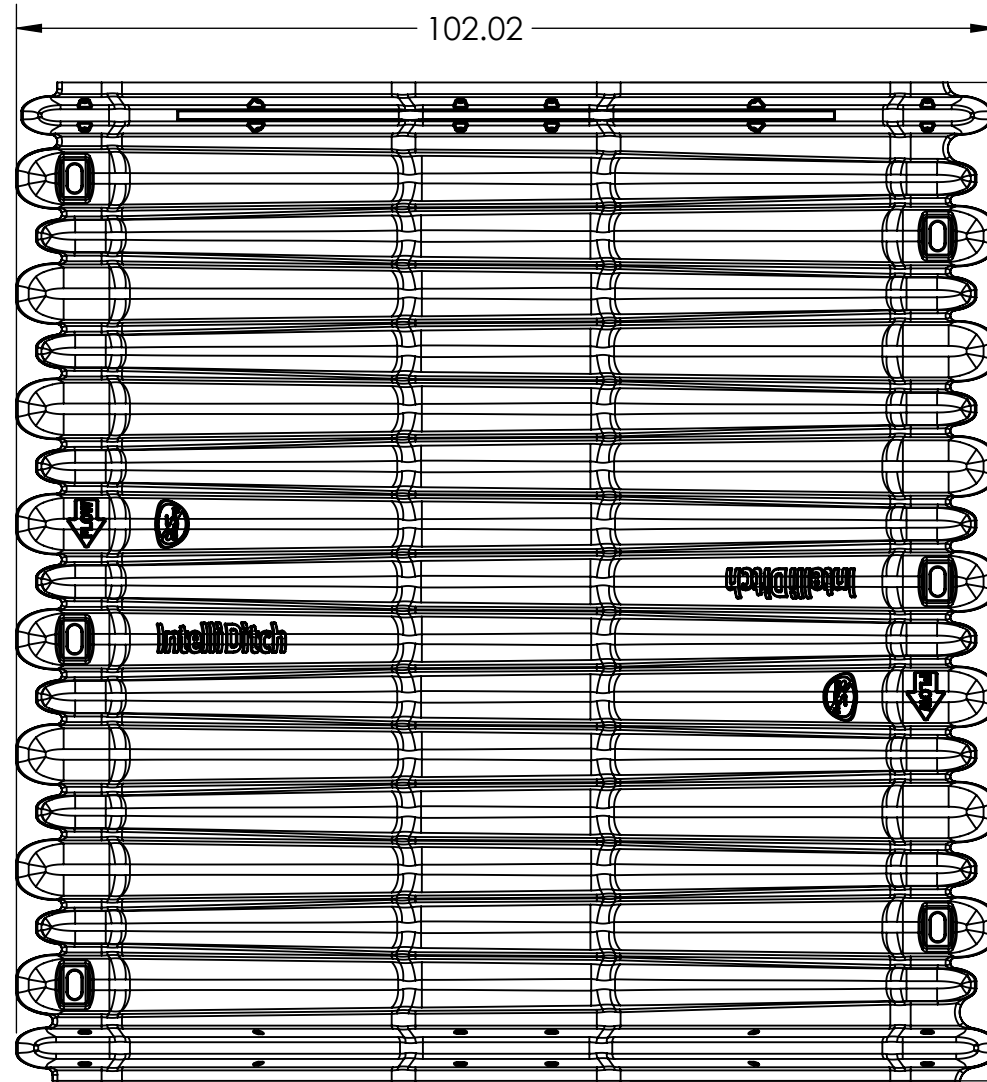


4

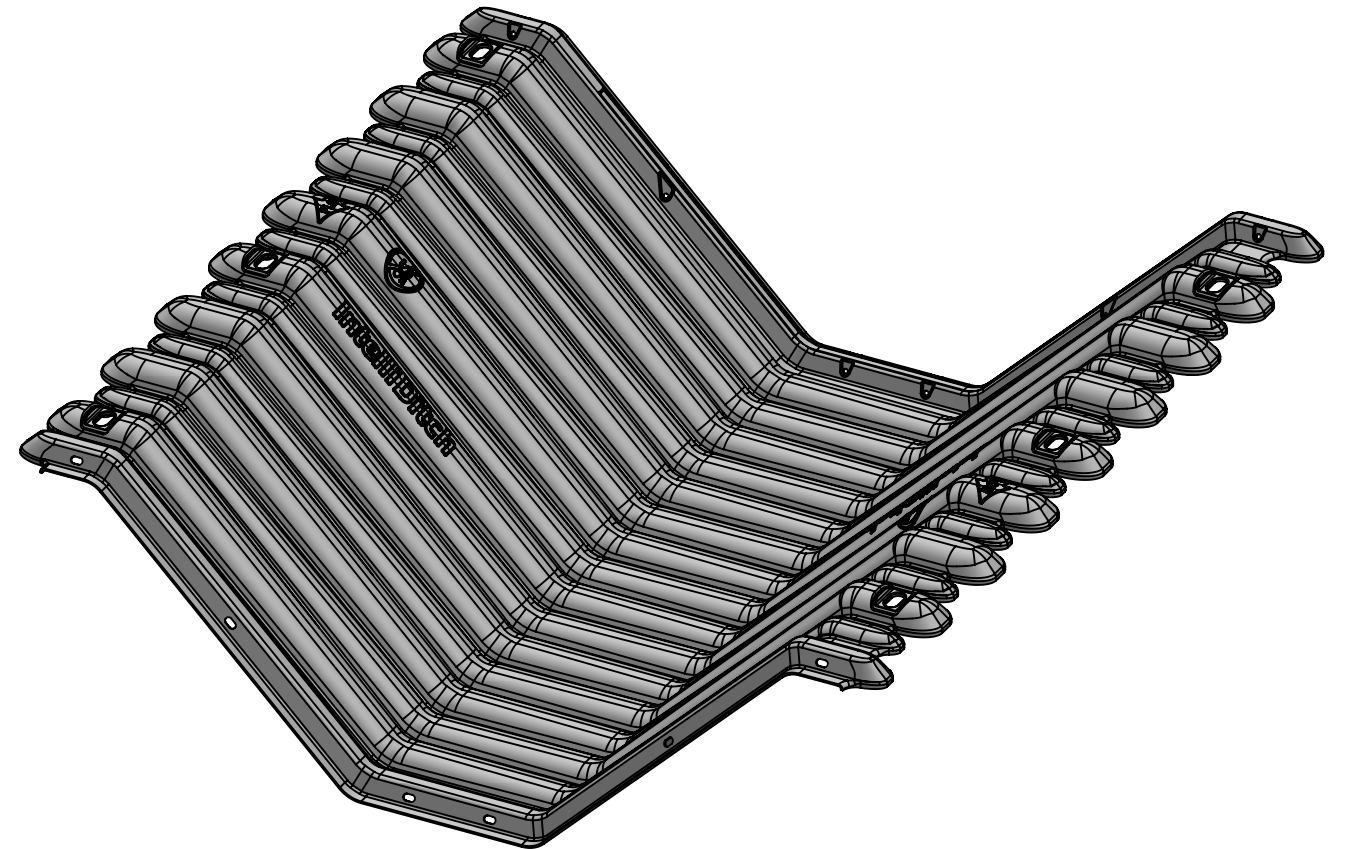
3

2

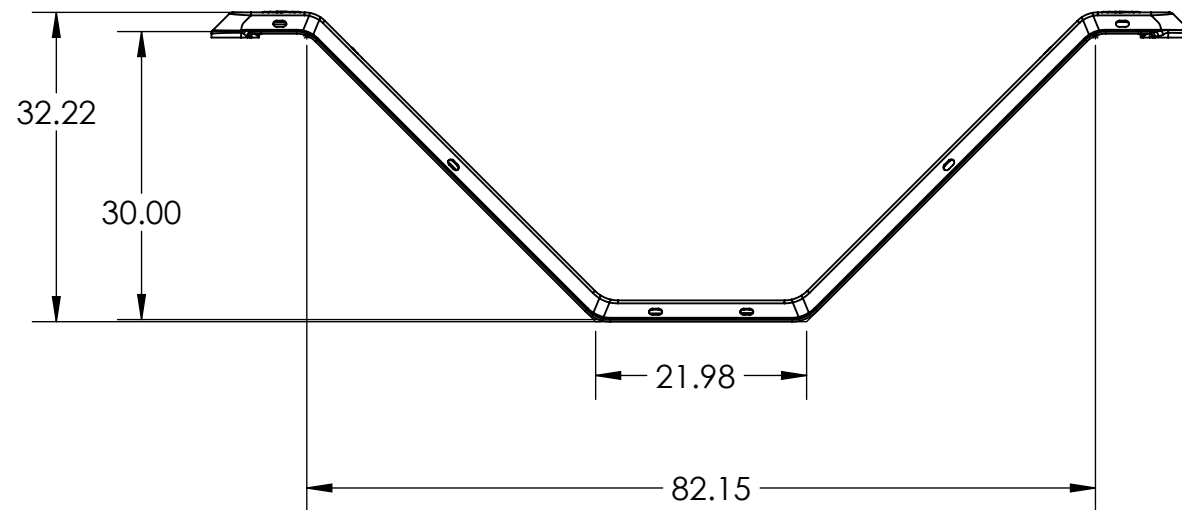
1



104.00



24" STRAIGHT SECTION
PATENT PENDING 63/237,096



4

3

2

1

B

B

A

A

4

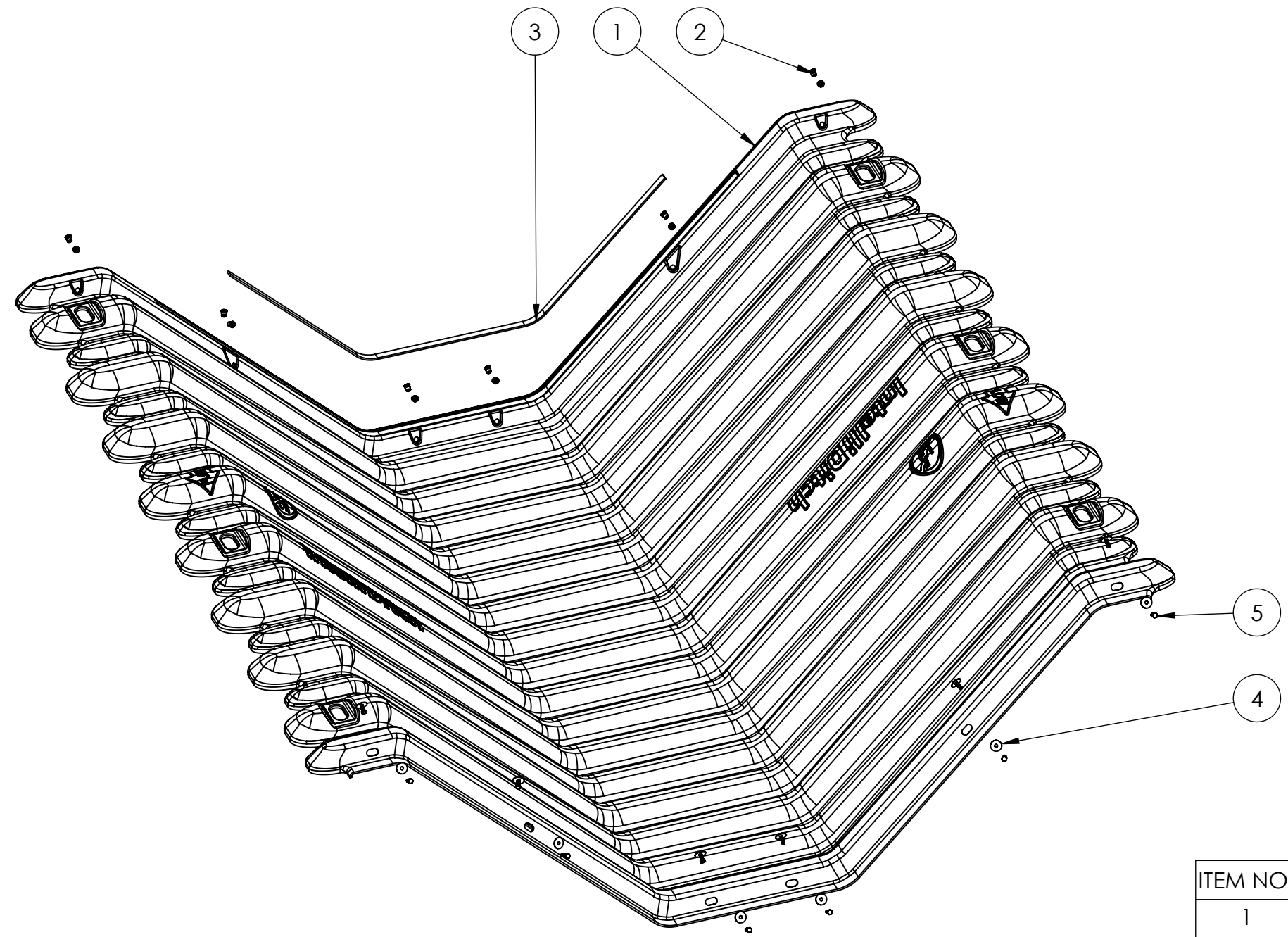
3

2

1

B

B



| | | |
|---------------------|----------|--------|
| LENGTH | 104 IN | 264 CM |
| TOP WIDTH | 102 IN | 259 CM |
| BOTTOM WIDTH | 21.98 IN | 56 CM |
| HEIGHT | 30 IN | 76 CM |

A

A

24" STRAIGHT SECTION
ASSEMBLY

| ITEM NO. | PART NUMBER | DESCRIPTION | QTY. |
|----------|--|--|------|
| 1 | IntelliDitch Straight | | 1 |
| 2 | 94020A355_ALUMINU M HEAVY-DUTY RIVET NUT | 5/16"-18 THD RIVET NUT, MCMaster PN OR EQUIV | 12 |
| 3 | Hydrophilic Gasket (5FT4IN) | | 1 |
| 4 | 90377A164 | Black SS Fender Washer for 5/16" SCREW; MCMaster PN# OR EQUIV | 12 |
| 5 | 92240A583 | 5/16"-18, 1" LG, SS Hex Head Screw; MCMaster PN# OR EQUIV | 12 |

4

3

2

1